

Black Bear Hoist Parts

Phone: 504-616-8789
 Fax: 504-367-9005
 Toll Free: 877-97-HOIST



Parts Pricing and Order Form

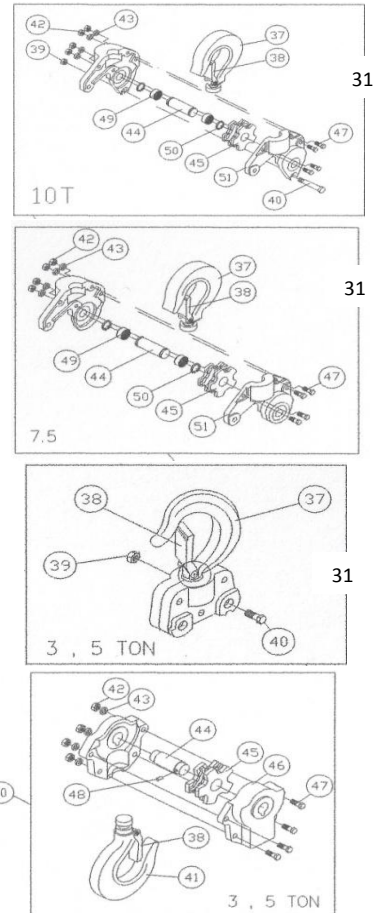
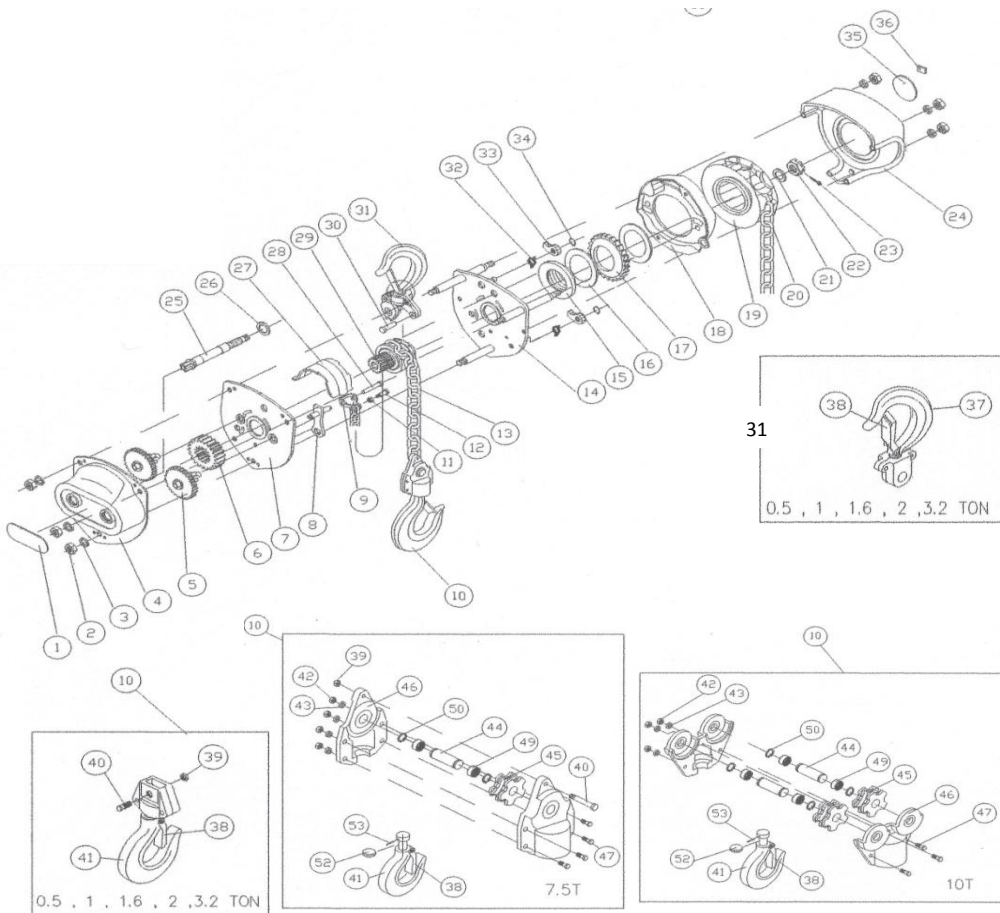
Fax , E-Mail or Phone

Company: _____
 Contact: _____
 Phone #: _____
 Fax #: _____
 E-Mail: _____
 Ship To Address: _____

NOTE:
 1) 1 L. Ft. = 1 Linear Foot
 2) All prices subject to change without notice.
 3) All prices in U.S. Dollars - F.O.B. Fontana, California, Prepaid & Add
 4) Price does not include freight or taxes

Black Bear Hand Chain Hoist - 1.6 Ton (YB-160)

August, 2009



Key No	Part Number	Part Name	Qty Req	Price (each)	Quantity Needed
1	B1903	Name Plate	1	\$1.04	
2	B1421	Hex Nut	6	\$1.04	
3	B1441	Spring Lock Washer	6	\$1.04	

Black Bear Hand Chain Hoist - 1.6 Ton (YB-160)

August, 2009

Key No	Part Number	Part Name	Qty Req	Price (each)	Quantity Needed
4	B1201	Gear Cover With Bushings	1	\$17.71	
5	B1202	2nd Gear Assembly	2	\$32.29	
6	B1203	4th. Gear	1	\$22.92	
7	B1204	Gear Side Plate with Bushings	1	\$17.71	
8	B1205	Stripper Assembly	1	\$2.08	
9	B1206	Load Chain Slack End Anchorage	1	\$2.08	
10	B1207	Lower Hook Assembly	1	\$28.13	
11	B1422	Nylon Lock Nut	1	\$1.04	
	B1471	Cutter Pin	2	\$1.04	
12	B1401	Dead End Bolt	1	\$2.08	
	B1208	Slack End Anchorage Pin	1	\$1.04	
13	B1901	Load Chain (1L. Ft.) 7.1mm*21	1	\$7.00	
14	B1209	Brake Side Plate with Bushings	1	\$26.04	
15	B1210	Hub	1	\$10.42	
16	B1211	Friction Washer	2	\$3.13	
17	B1212	Ratchet	1	\$10.42	
18	B1213	Ratchet Cover	1	\$7.29	
19	B1214	Hand Wheel	1	\$20.83	
20	B1902	Hand Chain (1L. Ft.) 5.0mm* 23.5	1	\$3.25	
21	B1442	Flat Washer	1	\$1.04	
22	B1423	Castle Nut	1	\$1.04	
23	B1472	Cutter Pin	1	\$1.04	
24	B1215	Hand Wheel Cover	1	\$15.63	
25	B1216	1st. Gear	1	\$17.71	
26	B1217	Flat Washer	1	\$1.04	
27	B1218	Chain Guide	1	\$2.08	
28	B1219	Slack End Anchorage Pin	1	\$1.04	
29	B1220	Load Sheave	1	\$28.13	
30	B1221	Upper Hook Pin	1	\$1.04	
31	B1222	Upper Hook Assembly	1	\$28.13	
32	B1223	Pawl Spring	2	\$1.04	
33	B1224	Pawl	2	\$5.21	
34	B1461	Snap Ring	2	\$1.04	
35	B1904	Warning Label	1	\$5.25	
36	B1905	Class Label	1	\$2.08	
37	B1225	Top Hook	1	\$16.67	
38	B1226	Safety Latch Assembly	1	\$8.25	
39	B1424	Nylon Lock Nut	1	\$1.04	
40	B1402	Dead End Bolt	1	\$1.04	
41	B1227	Bottom Hook	1	\$16.67	
42	B1425	Hex Nut	4/7/8	Not Used	
43	B1443	Spring Lock Washer	4/7/8	Not Used	
44	B1228	Sheave Shafe	1/2/3	Not Used	
45	B1229	Sheave Wheel	1/2/3	Not Used	

Black Bear Hand Chain Hoist - 1.6 Ton (YB-160)

August, 2009

Key No	Part Number	Part Name	Qty Req	Price (each)	Quantity Needed
46	B1230	Lower Hook Block Half	2	Not Used	
47	B1403	Hex Recess Bolt	4/7/8	Not Used	
48	B1473	Spring Pin	1	Not Used	
49	B1231	Needle Bearing	4/6	Not Used	
50	B1462	Snap Ring	4/6	Not Used	
51	B1232	Upper Hook Block Half	2	Not Used	
52	B1233	Needle Bearing	1	Not Used	
53	B1474	Spring Pin	1	Not Used	

Comments:

[Short Form Available \(Click Here\)](#)[BlackBearHoist.com - Home Page - Left Hand Side - Parts Order Forms](#)**MBI Crane & Hoist**

Material Handling Products and Services

Address: 74 1st. Street, Gretna, LA 70053

Mailing Address: PO Box 740875 New Orleans, LA 70174

Office: 504-616-8789 Fax: 504-367-9005

Toll Free: 1-877-97-HOIST (1-877-974-6478)

Office Hours: Monday - Friday 9:00 am - 5:00 am CST

E-mail: mbi@mbicraneandhoist.comwww.blackbearhoist.comwww.mbicraneandhoist.com

24 Hour Fax or Internet Ordering!