

Black Bear Hoist Parts

Phone: 504-616-8789
 Fax: 504-367-9005
 Toll Free: 877-97-HOIST



Parts Pricing and Order Form

Fax , E-Mail or Phone

Company: _____
 Contact: _____
 Phone #: _____
 Fax #: _____
 E-Mail: _____

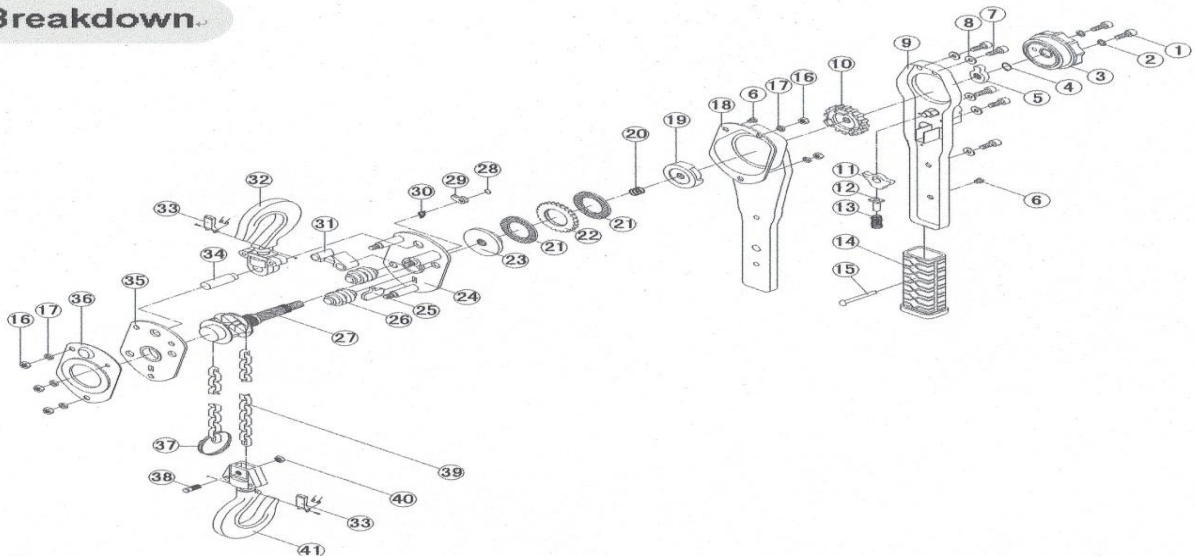
NOTE:
 1) 1 L. Ft. = 1 Linear Foot
 2) All prices subject to change without notice.
 3) All prices in U.S. Dollars - F.O.B. Fontana, California, Prepaid & Add
 4) Price does not include freight or taxes

Ship To Address: _____

Black Bear Lever Chain Hoist - 0.25 Ton (YL-030)

August, 2009

Parts Breakdown



Key No	Part Number	Part Name	Qty Req	Price (each)	Quantity Needed
1	L1401	Hex. Recess Bolt	2	Contact Us	
2	L1441	Spring Washer	2	Contact Us	
3	L1001	Hand Wheel	1	Contact Us	
4	L1461	C-Ring	1	Contact Us	
5	L1002	Stopper	1	Contact Us	
6	L1402	Hex. Recess Bolt	2	Contact Us	
7	L1403	Hex. Recess Bolt	5	Contact Us	
8	L1442	Spring Washer	5	Contact Us	
9	L1003	Lever Outside Assembly	1	Contact Us	
10	L1004	Feed Gear	1	Contact Us	
11	L1005	Feed Ratchet	1	Contact Us	
12	L1006	Ratchet Spring Pin	1	Contact Us	

Black Bear Lever Chain Hoist - 0.25 Ton (YL-030)

August, 2009

Key No	Part Number	Part Name	Qty Req	Price (each)	Quantity Needed
13	L1007	Ratchet Spring	1	Contact Us	
14	L1008	Rubber Cover	1	Contact Us	
15	L1009	Rivit	1	Contact Us	
16	L1421	Hex. Nut	5	Contact Us	
17	L1443	Spring Washer	5	Contact Us	
18	L1010	Lever Inside Assembly	1	Contact Us	
19	L1011	Feed Gear Cover	1	Contact Us	
20	L1012	Free Wheeling Spring	1	Contact Us	
21	L1013	Brake Disk	2	Contact Us	
22	L1014	Ratchet Wheel	1	Contact Us	
23	L1015	Disk Hub	1	Contact Us	
24	L1201	Lever Side Plate Assembly	1	Contact Us	
25	L1202	Chain Stripper	1	Contact Us	
26	L1203	Chain Guide	2	Contact Us	
27	L1204	Load Sheave	1	Contact Us	
28	L1462	C-Ring	1	Contact Us	
29	L1205	Ratchet	1	Contact Us	
30	L1206	Ratchet Spring	1	Contact Us	
31	L1207	Position Plate	1	Contact Us	
32	L1208	Top Hook Assembly	1	Contact Us	
33	L1209	Safety Latch Assembly	2	\$8.25	
34	L1210	Top Hook Pin	1	Contact Us	
35	L1211	Gear Side Plate Assembly	1	Contact Us	
36	L1212	Case	1	Contact Us	
37	L1213	Chain Stopper	1	Contact Us	
38	L1214	Bolt	1	Contact Us	
39	L1901	Load Chain (1L. Ft.)	1	Contact Us	
40	L1442	Nylon Lock Nut	1	Contact Us	
41	L1215	Bottom Hook Assembly	1	Contact Us	
42	NO PN	Rubber Cover		Contact Us	
43	NO PN	Warning Plate		Contact Us	
44	NO PN	Name Plate		Contact Us	
45	NO PN	Class Plate		Contact Us	

[Short Form Available \(Click Here\)](#)

[BlackBearHoist.com - Home Page - Left Hand Side - Parts Order Forms](#)



 **Monzon Brothers, Inc**

MBI Crane & Hoist

Material Handling Products and Services

Address: 74 1st. Street, Gretna, LA 70053

Office: 504-616-8789 / Fax: 504-367-9005 / Toll Free: 1-877-97-HOIST (1-877-974-6478)

Office Hours: Monday - Friday 9:00 am - 5:00 am CST

Email: mbi@mbicraneandhoist.com

Web: www.blackbearhoist.com / www.mbicraneandhoist.com